

FASTENING DETAILS

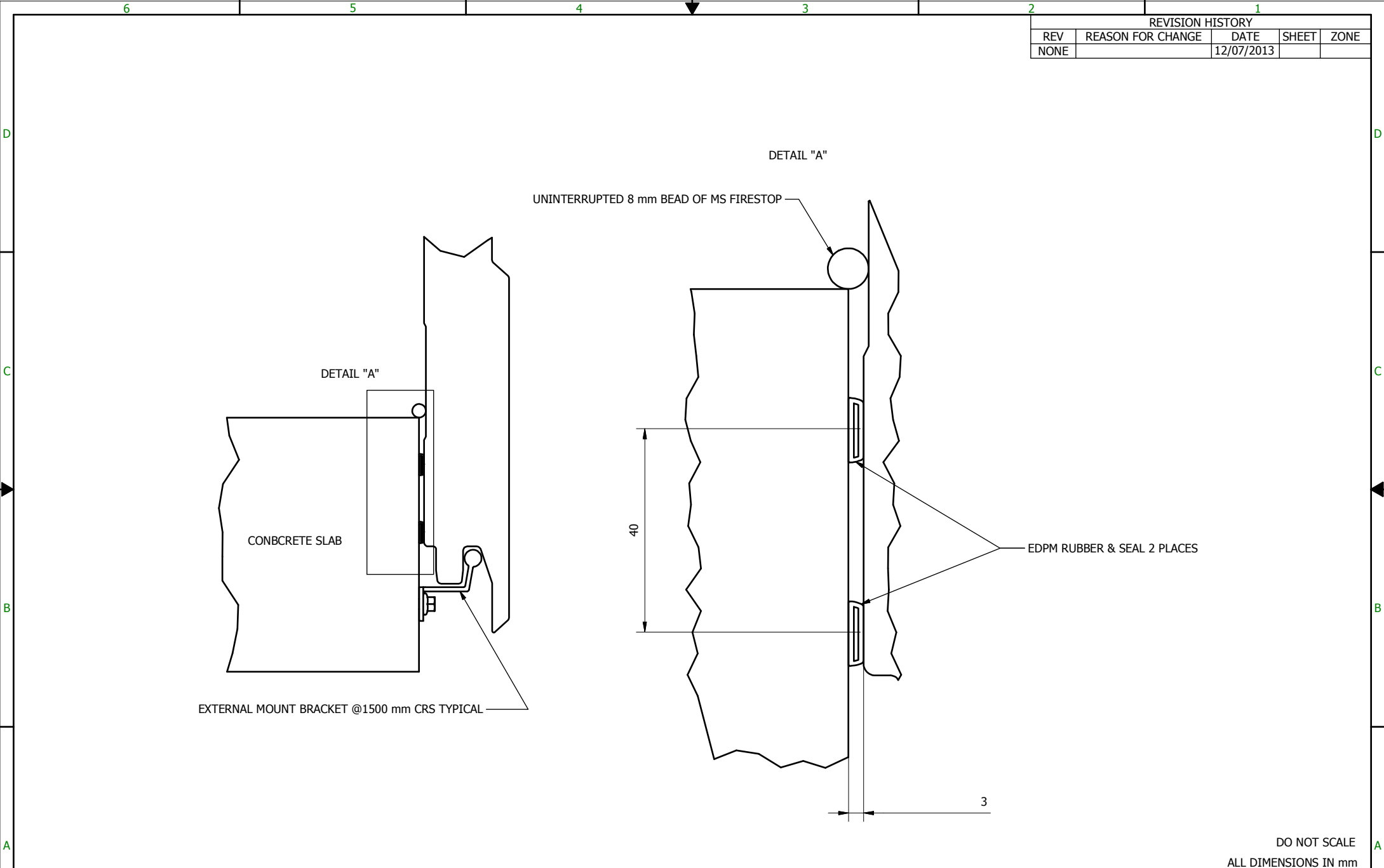
TECHNICAL GUIDE TO CONQUEROR NZ PANEL PRODUCTS

Conqueror NZ Ltd has a policy of continuous product improvement; we reserve the right to change design or specifications without prior notice.



CONQUEROR

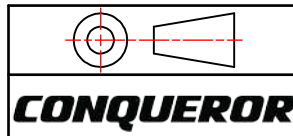
REVISION HISTORY				
REV	REASON FOR CHANGE	DATE	SHEET	ZONE
NONE		12/07/2013		



DO NOT SCALE
ALL DIMENSIONS IN mm

CONQUEROR HAS A POLICY OF CONTINUOUS PRODUCT IMPROVEMENT; WE RESERVE THE RIGHT TO CHANGE DESIGN OR SPECIFICATIONS WITHOUT PRIOR NOTICE.

COPYRIGHT **CONQUEROR NZ Ltd**

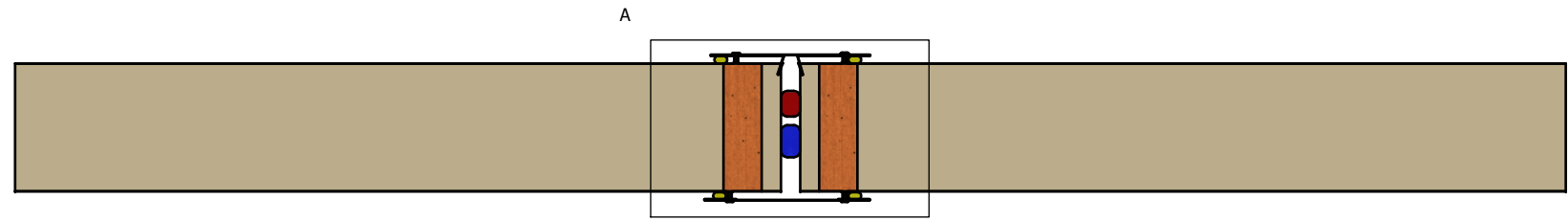


ORDER/CONTRACT NO:			
RELEASED			SHEET SIZE A3
CHECKER	G. F.	08/08/2013	SHEET 1 OF 1
DFT / DSGN	R. K.	12/07/2013	SCALE NONE

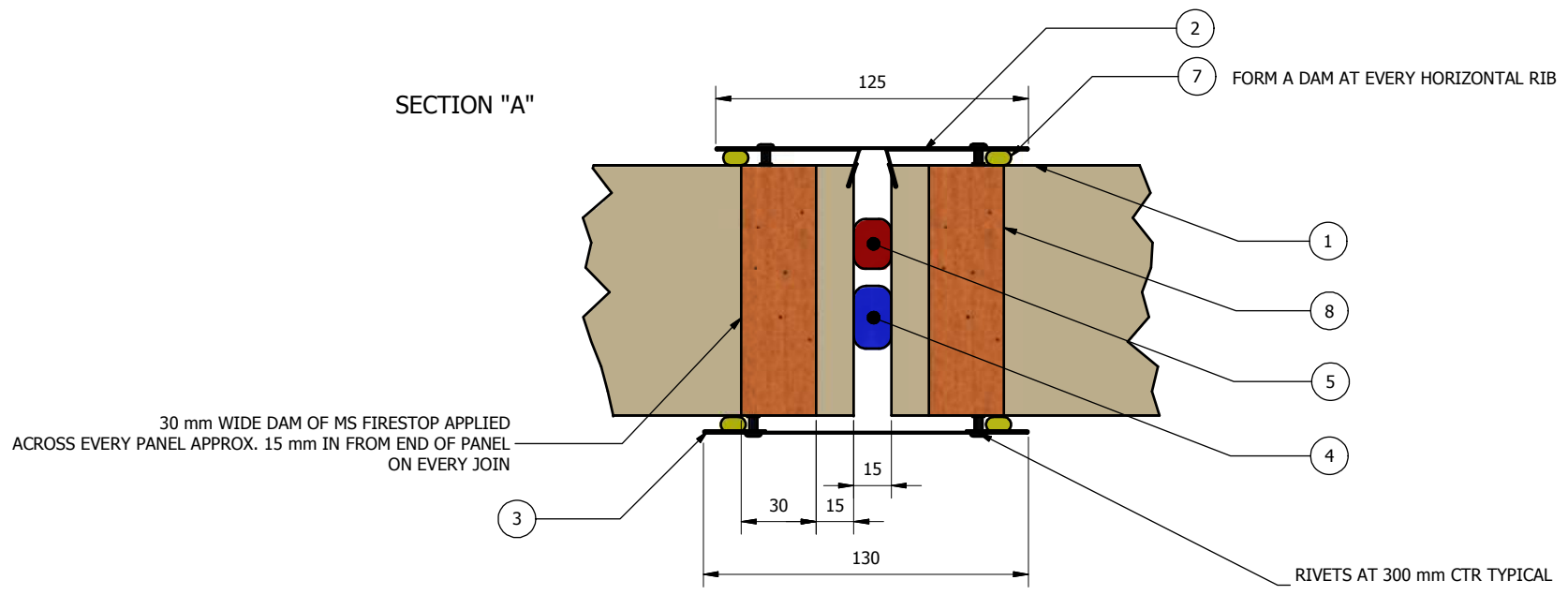
TITLE		EXTERNAL MOUNT HORIZONTAL PANEL	
DWG NO	0001	REV.	NONE

ITEM	QTY	DESCRIPTION
1	2	EWF-100 CUT 600 EXTERNAL WALL PANEL
2	1	EXTERNAL JOINING FLASHING
3	1	BACK PANEL JOINING FLASHING
4	AR	PFC ROD Ø20 mm
5	AR	BEAD, MS FIRESTOP Ø25 mm
6	12	CLOSED END BLIND RIVETS
7	AR	BEAD, MS FIRESTOP Ø6 mm
8	AR	DAM, 30 mm WIDE MS FIRESTOP

REFER TO HORIZON JOINT DETAIL



SECTION "A"

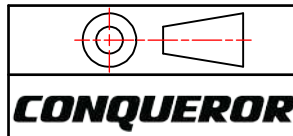


NOTE
- RUBBER & DAM SHOULD BE CLOSER TO FRONT

DO NOT SCALE

CONQUEROR HAS A POLICY OF CONTINUOUS PRODUCT IMPROVEMENT; WE RESERVE THE RIGHT TO CHANGE DESIGN OR SPECIFICATIONS WITHOUT PRIOR NOTICE.

COPYRIGHT **CONQUEROR NZ Ltd**



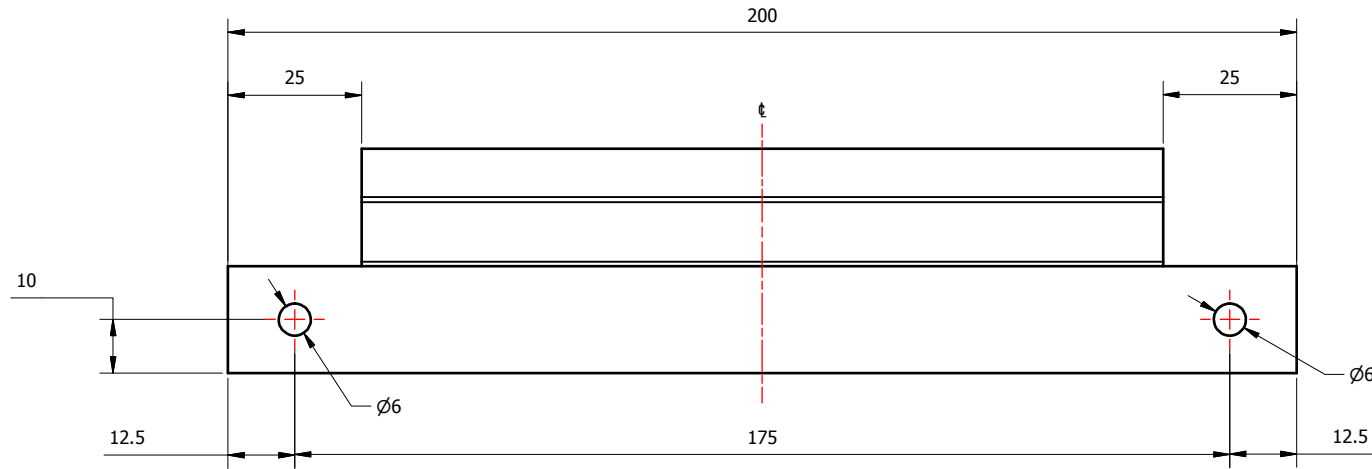
ORDER/CONTRACT NO:			
RELEASED			SHEET SIZE A3
CHECKER	G. F.	08/08/2013	SHEET 2 OF 2
DFT / DSGN	R. K.	12/07/2013	SCALE NONE

TITLE	
HORIZONTAL PANEL VERTICAL JOINT DETAIL	
DWG NO	0002
REV.	NONE

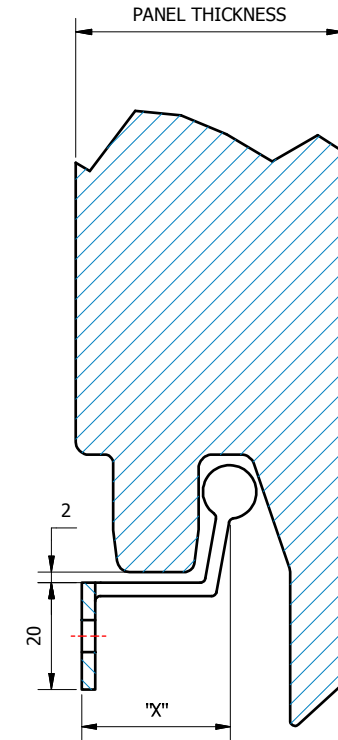
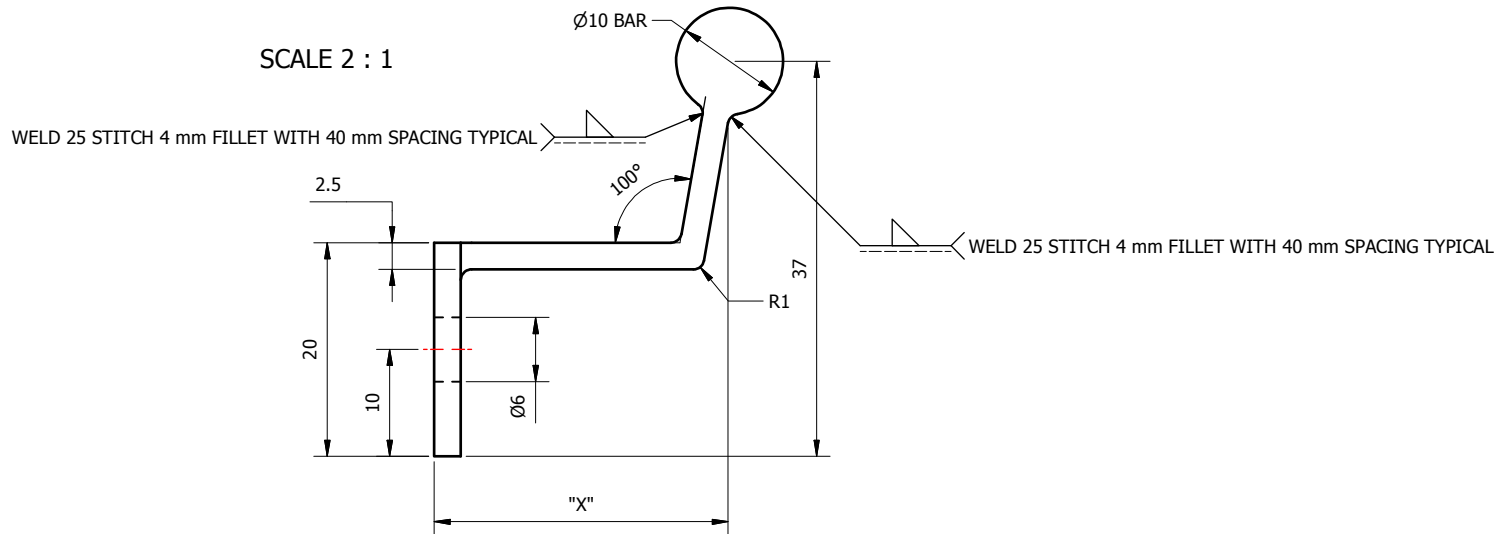
REVISION HISTORY				
REV	REASON FOR CHANG	DATE	SHEET	ZONE
NONE		11/07/2013		

UNSPECIFIED TOLERANCES +/- 0.1mm	FINISH <input checked="" type="checkbox"/>
----------------------------------	--

SCALE 1 : 1



SCALE 2 : 1



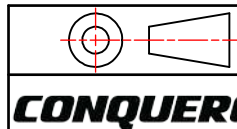
- NOTE
- PANEL BEARER FIXING CENTRES 1500 mm MAXIMUM
 - MATERIAL: 2.5 mm THICK MILD STEEL
 - FINISH: BNZ AND CLEAR
BS 1706 1990 Ff ZN 51A
OR HOT DIP GALVANIZED

DO NOT SCALE
ALL DIMENSIONS IN mm

PANEL THICKNESS	DIMENSION "X"
50	28
75	52
100	79

CONQUEROR HAS A POLICY OF CONTINUOUS PRODUCT IMPROVEMENT; WE RESERVE THE RIGHT TO CHANGE DESIGN OR SPECIFICATIONS WITHOUT PRIOR NOTICE.

COPYRIGHT CONQUEROR NZ Ltd



ORDER/CONTRACT NO:

RELEASED

CHECKER

DFT / DSGN

G. F.

R. K.

08/08/2013

12/07/2013

SHEET SIZE A3

SHEET 1 OF 1

SCALE NONE

TITLE

DWG NO

0003

REV. NONE

HORIZONTAL PANEL EXTERNAL MOUNT BASE BRACKET

6

5

4

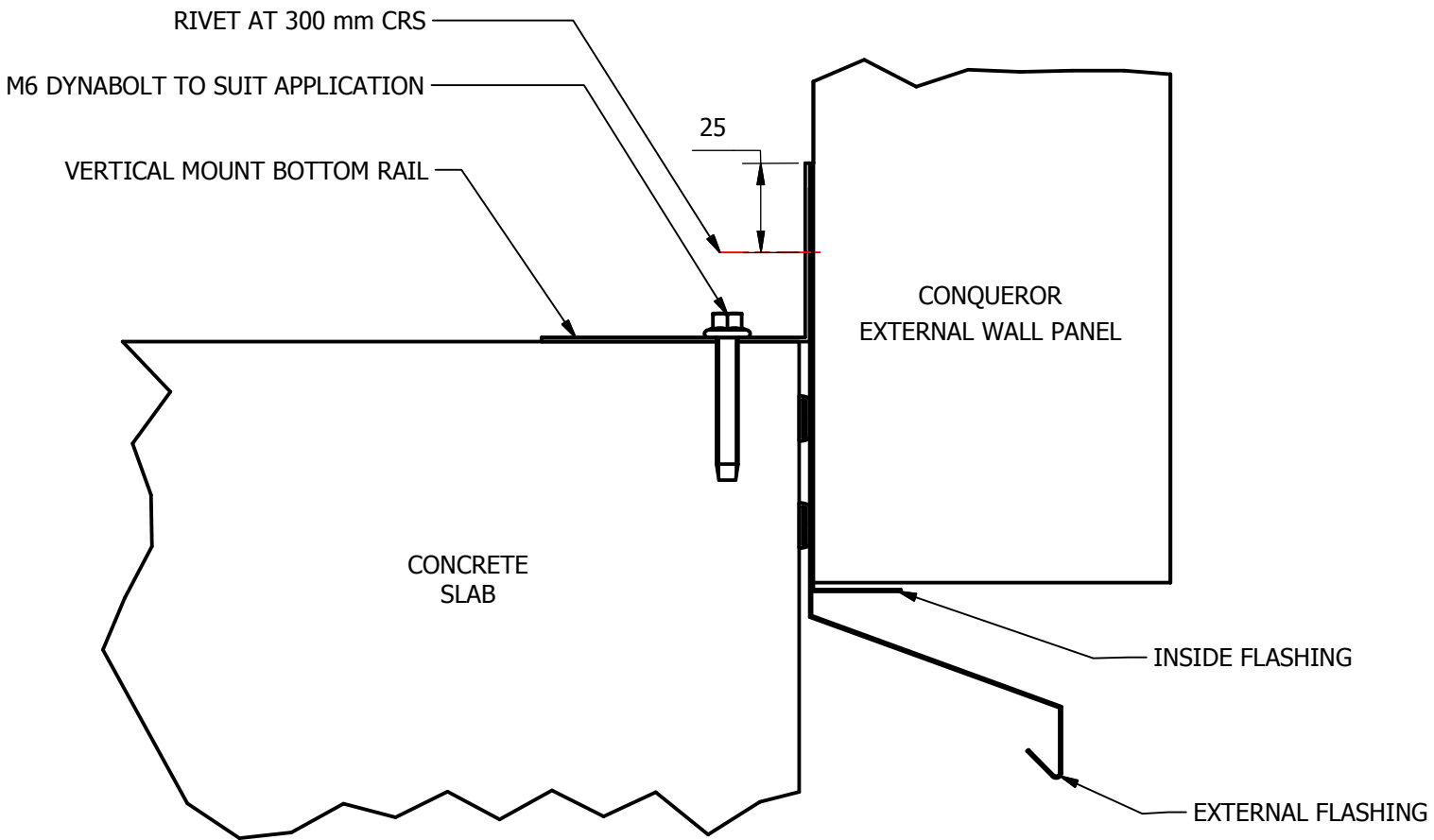
3

2

1

REVISION HISTORY

REV	REASON FOR CHANGE	DATE	SHEET	ZONE
NONE		05/08/2013		



CONQUEROR HAS A POLICY OF CONTINUOUS PRODUCT IMPROVEMENT; WE RESERVE THE RIGHT TO CHANGE DESIGN OR SPECIFICATIONS WITHOUT PRIOR NOTICE.

DO NOT SCALE
ALL DIMENSIONS IN mm

COPYRIGHT **CONQUEROR NZ Ltd**

	ORDER/CONTRACT NO:			TITLE VERTICAL PANEL TYPICAL EXTERNAL BASE MOUNT	
	RELEASED	ROYD		SHEET SIZE	A4
	CHECKER	G. F.	08/08/2013	SHEET	1 OF 1
	DFT / DSGN	R. K.	05/08/2013	SCALE	NONE
				DWG NO	0004
				REV.	NONE

6

5

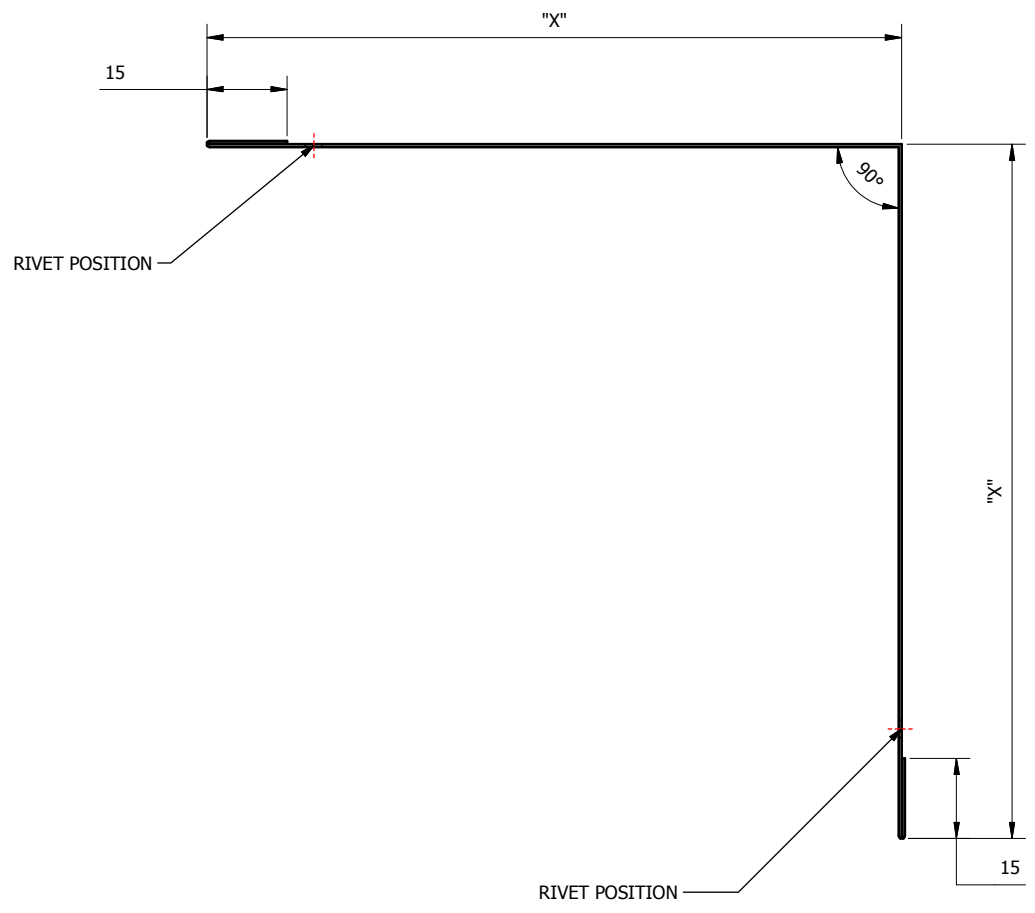
4

3

2

1

REVISION HISTORY				
REV	REASON FOR CHANGE	DATE	SHEET	ZONE
NONE		11/07/2013		



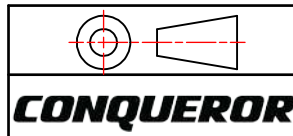
DO NOT SCALE
ALL DIMENSIONS IN mm

PANEL SIZE	"X"
50	120
75	130
100	180

JIS-G3322/CGLCC, AZ150
0.55 mm PREPAINTED STEEL

CONQUEROR HAS A POLICY OF CONTINUOUS PRODUCT IMPROVEMENT; WE RESERVE THE RIGHT TO CHANGE DESIGN OR SPECIFICATIONS WITHOUT PRIOR NOTICE.

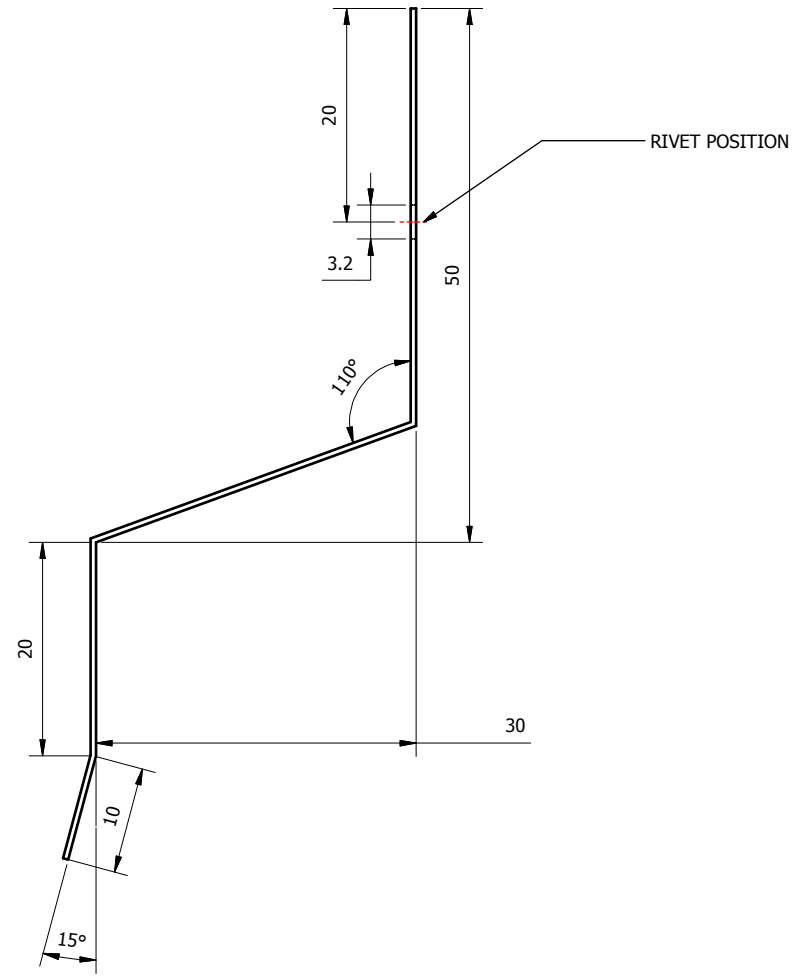
COPYRIGHT **CONQUEROR NZ Ltd**



ORDER/CONTRACT NO:			
RELEASED			SHEET SIZE A3
CHECKER	G. F.	08/08/2013	SHEET 1 OF 1
DFT / DSGN	R. K.	14/06/2013	SCALE 1:1

TITLE		INTERNAL CORNER FLASHING	
DWG NO		0005	
REV.		NONE	

REVISION HISTORY				
REV	REASON FOR CHANGE	DATE	SHEET	ZONE
NONE		11/07/2013		

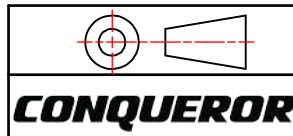


JIS-G3322/CGLCC, AZ150
0.55 mm PREPAINTED STEEL

ALL DIMENSIONS IN mm

CONQUEROR HAS A POLICY OF CONTINUOUS PRODUCT IMPROVEMENT; WE RESERVE THE RIGHT TO CHANGE DESIGN OR SPECIFICATIONS WITHOUT PRIOR NOTICE.

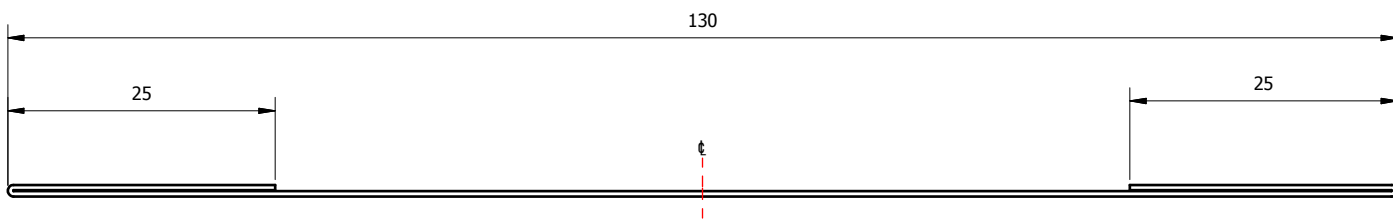
COPYRIGHT **CONQUEROR NZ Ltd**



ORDER/CONTRACT NO:			
RELEASED			SHEET SIZE A3
CHECKER	G. F.	08/08/2013	SHEET 1 OF 1
DFT / DSGN	R. K.	14/06/2013	SCALE 2:1

TITLE		WINDOW TOP FLASHING	
DWG NO		0006	
REV.		NONE	

REVISION HISTORY				
REV	REASON FOR CHANGE	DATE	SHEET	ZONE
NONE		11/07/2013		



JIS-G3322/CGLCC, AZ150
0.55 mm PREPAINTED STEEL

DO NOT SCALE
ALL DIMENSIONS IN mm

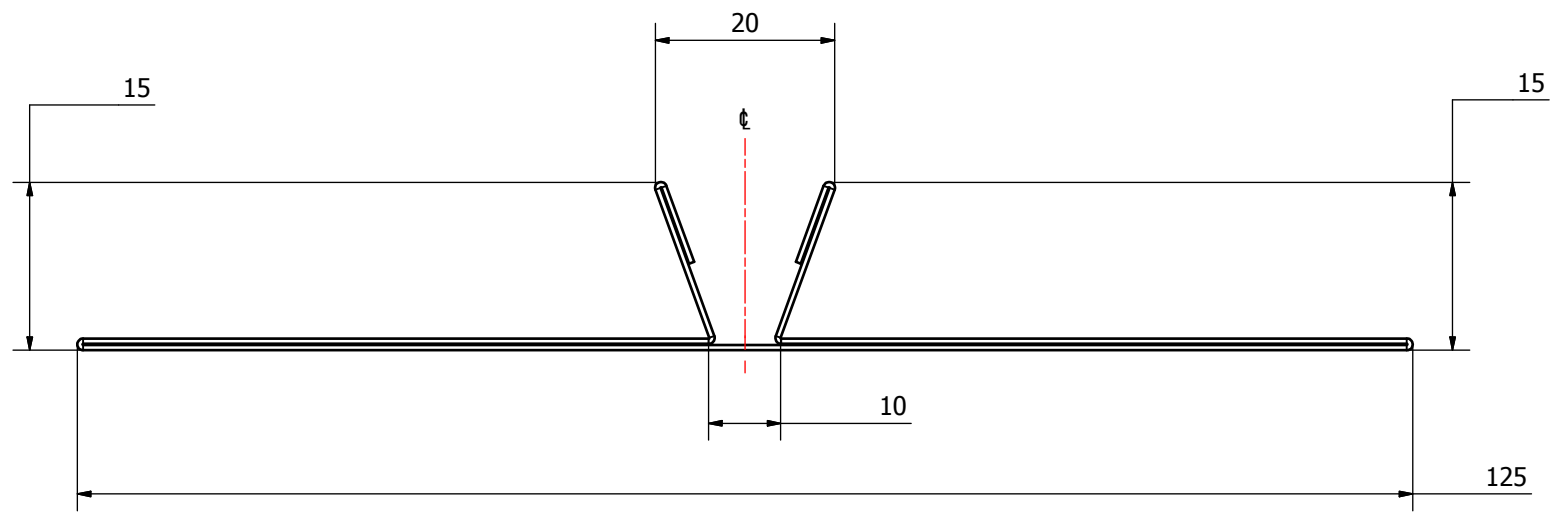
CONQUEROR HAS A POLICY OF CONTINUOUS PRODUCT IMPROVEMENT; WE RESERVE THE RIGHT TO CHANGE DESIGN OR SPECIFICATIONS WITHOUT PRIOR NOTICE.

COPYRIGHT **CONQUEROR NZ Ltd**



ORDER/CONTRACT NO:				TITLE	
RELEASED			SHEET SIZE	A3	
CHECKER	G. F.	08/08/2013	SHEET	1 OF 1	
DFT / DSGN	R. K.	14/06/2013	SCALE	2:1	
			DWG NO	0007	
			REV.	NONE	

REVISION HISTORY				
REV	REASON FOR CHANGE	DATE	SHEET	ZONE
NONE		19/07/2013		

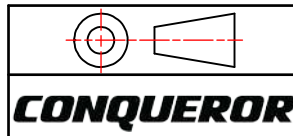


JIS-G3322/CGLCC, AZ 150
0.55 mm PREPAINTED STEEL

DO NOT SCALE
ALL DIMENSIONS IN mm

CONQUEROR HAS A POLICY OF CONTINUOUS PRODUCT IMPROVEMENT; WE RESERVE THE RIGHT TO CHANGE DESIGN OR SPECIFICATIONS WITHOUT PRIOR NOTICE.

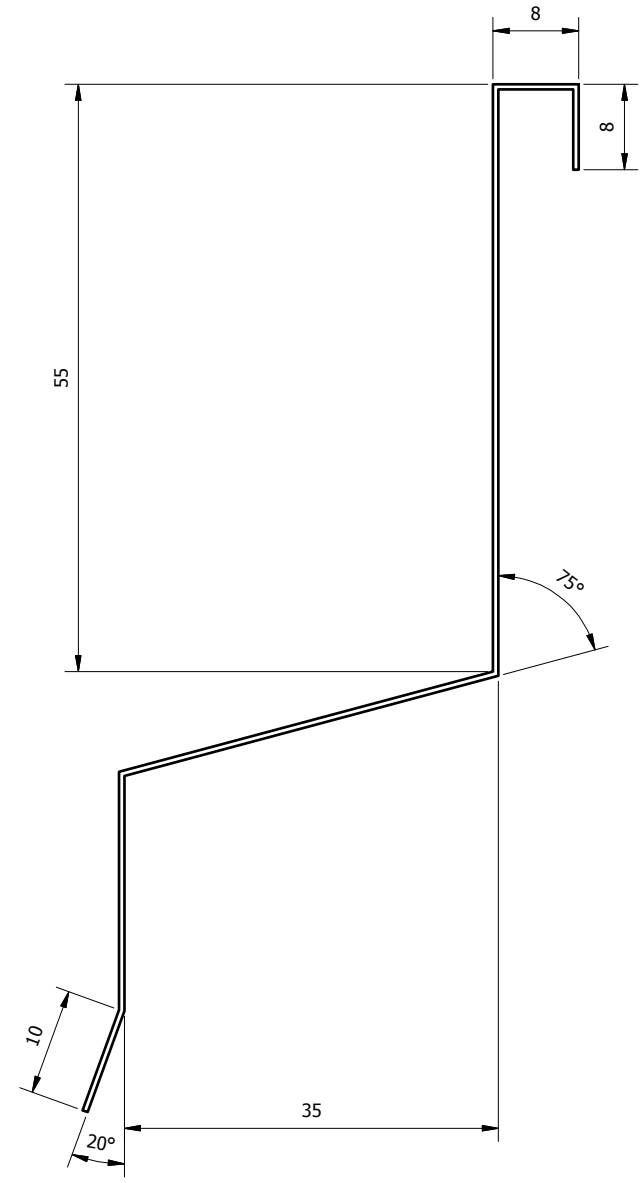
COPYRIGHT **CONQUEROR NZ Ltd**



ORDER/CONTRACT NO:			
RELEASED			SHEET SIZE A3
CHECKER	G. F.	08/08/2013	SHEET 1 OF 1
DFT / DSGN	R. K.	14/06/2013	SCALE 1:1

TITLE		EXTERNAL JOINING FLASHING	
DWG NO		0008	
REV.		NONE	

REVISION HISTORY				
REV	REASON FOR CHANGE	DATE	SHEET	ZONE
NONE		11/07/2013		

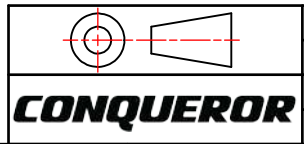


JIS-G3322/CGLCC, AZ150
0.55 mm PREPAINTED STEEL

ALL DIMENSIONS IN mm

CONQUEROR HAS A POLICY OF CONTINUOUS PRODUCT IMPROVEMENT; WE RESERVE THE RIGHT TO CHANGE DESIGN OR SPECIFICATIONS WITHOUT PRIOR NOTICE.

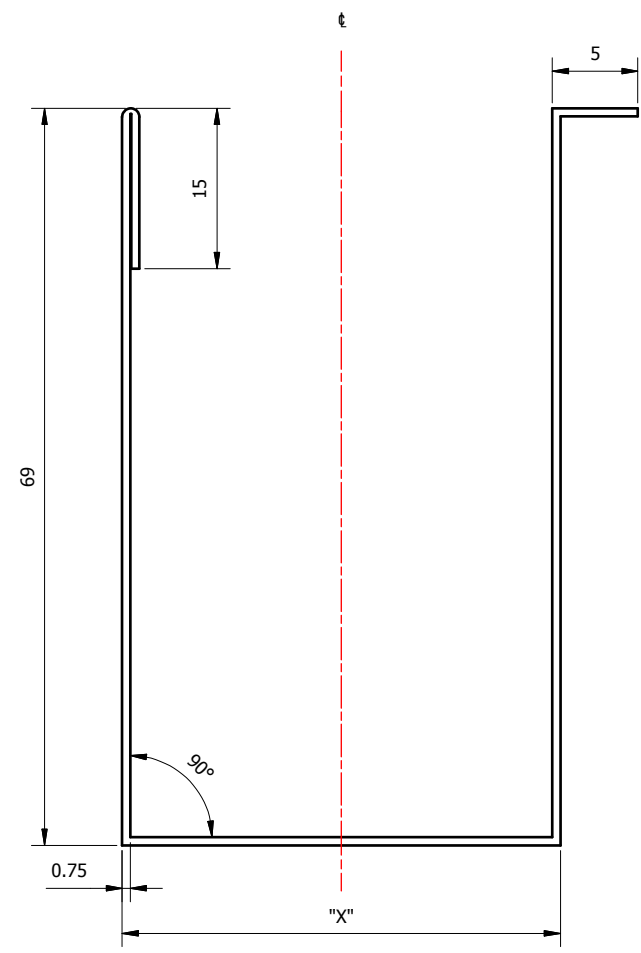
COPYRIGHT **CONQUEROR NZ Ltd**



ORDER/CONTRACT NO:			
RELEASED			SHEET SIZE A3
CHECKER	G. F.	08/08/2013	SHEET 1 OF 1
DFT / DSGN	R. K.	14/06/2013	SCALE 2:1

TITLE	
HORIZONTAL PANEL ON SLAB EXTERNAL BOTTOM FLASHING	
DWG NO	0009
REV.	NONE

REVISION HISTORY				
REV	REASON FOR CHANGE	DATE	SHEET	ZONE
NONE		11/07/2013		



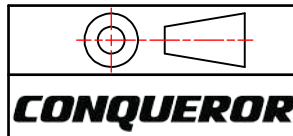
ALL DIMENSIONS IN mm

PANEL SIZE	"X"
50	16 - 2 PIECES
75	43
100	63

JIS-G3322/CGLCC, AZ150
0.75 mm PREPAINTED STEEL

CONQUEROR HAS A POLICY OF CONTINUOUS PRODUCT IMPROVEMENT; WE RESERVE THE RIGHT TO CHANGE DESIGN OR SPECIFICATIONS WITHOUT PRIOR NOTICE.

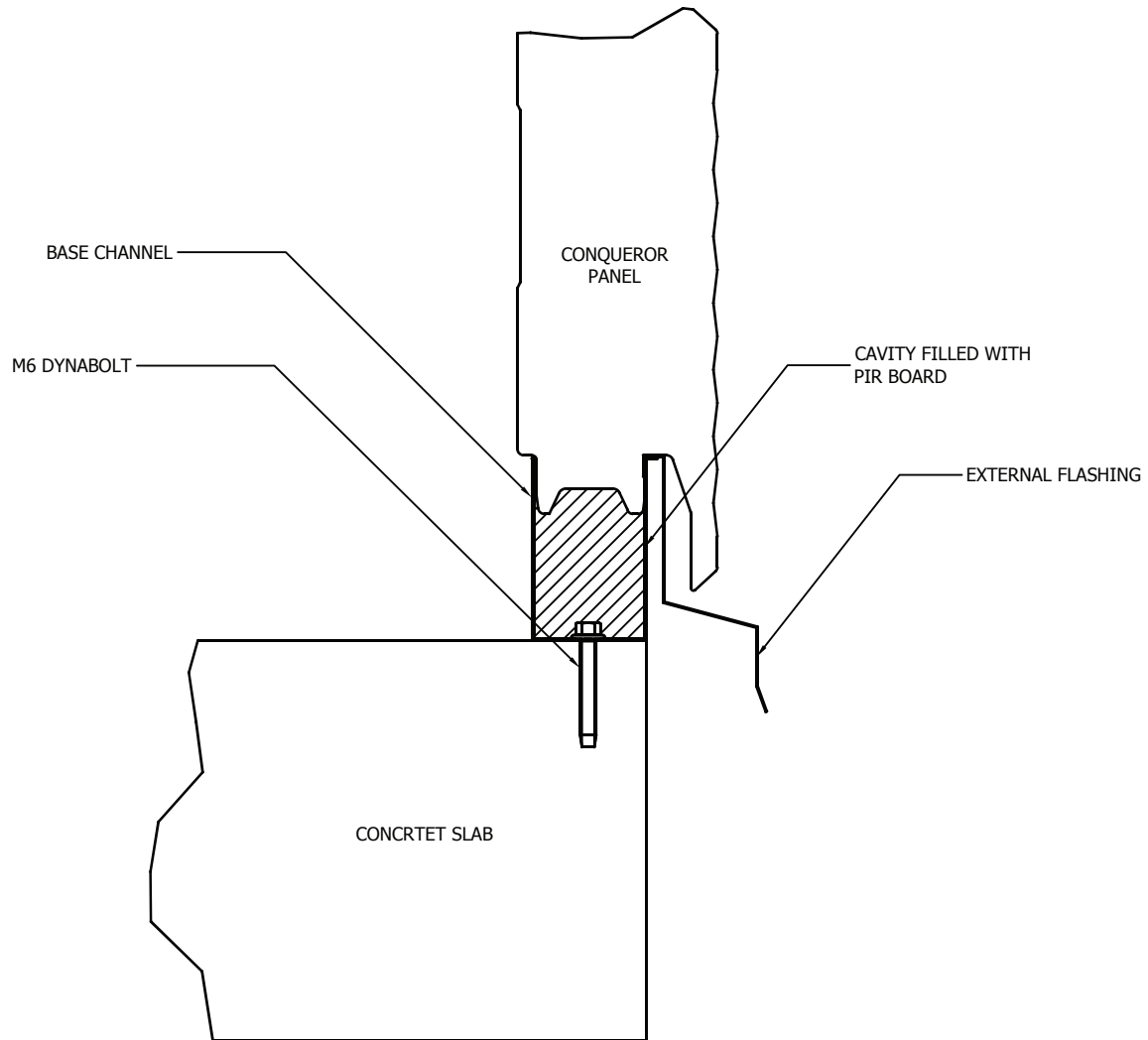
COPYRIGHT **CONQUEROR NZ Ltd**



ORDER/CONTRACT NO:			
RELEASED			SHEET SIZE A3
CHECKER	G. F.	08/08/2013	SHEET 1 OF 1
DFT / DSGN	R. K.	14/06/2013	SCALE 2:1

TITLE	
HORIZONTAL PANEL ON SLAB MOUNT BASE CHANNEL	
DWG NO	0010
REV.	NONE

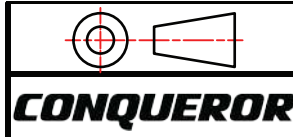
REVISION HISTORY				
REV	REASON FOR CHANGE	DATE	SHEET	ZONE
		06/08/2013		



DO NOT SCALE
ALL DIMENSIONS IN mm

CONQUEROR HAS A POLICY OF CONTINUOUS PRODUCT IMPROVEMENT; WE RESERVE THE RIGHT TO CHANGE DESIGN OR SPECIFICATIONS WITHOUT PRIOR NOTICE.

COPYRIGHT **CONQUEROR NZ Ltd**

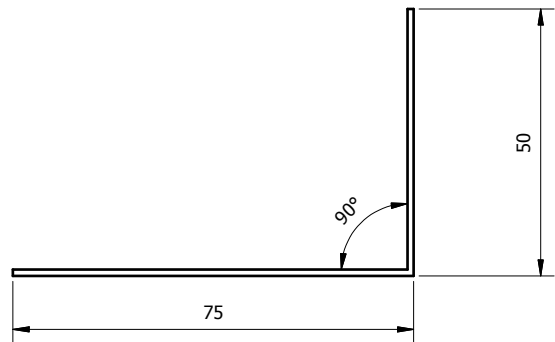


ORDER/CONTRACT NO:			
RELEASED	APPROVED_BY	MFG_APPROVED_DATE	SHEET SIZE A3
CHECKER	G. F.	08/08/2013	SHEET 1 OF 1
	R. K.	CREATION_DATE	SCALE <SCALE>

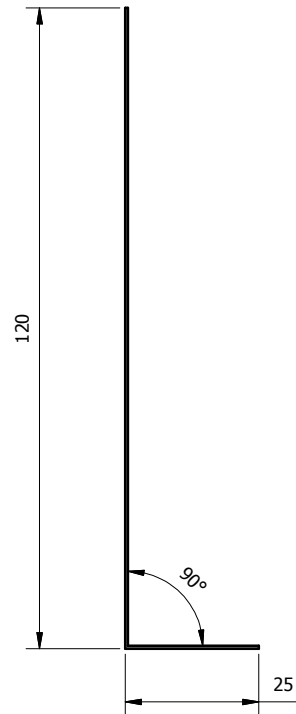
TITLE	HORIZONTAL PANEL TYPICAL ON SLAB MOUNT DETAIL		
DWG NO	0011	REV.	Sheet_Revision

REVISION HISTORY				
REV	REASON FOR CHANGE	DATE	SHEET	ZONE
A	ADD NOMEN	05/08/2013		

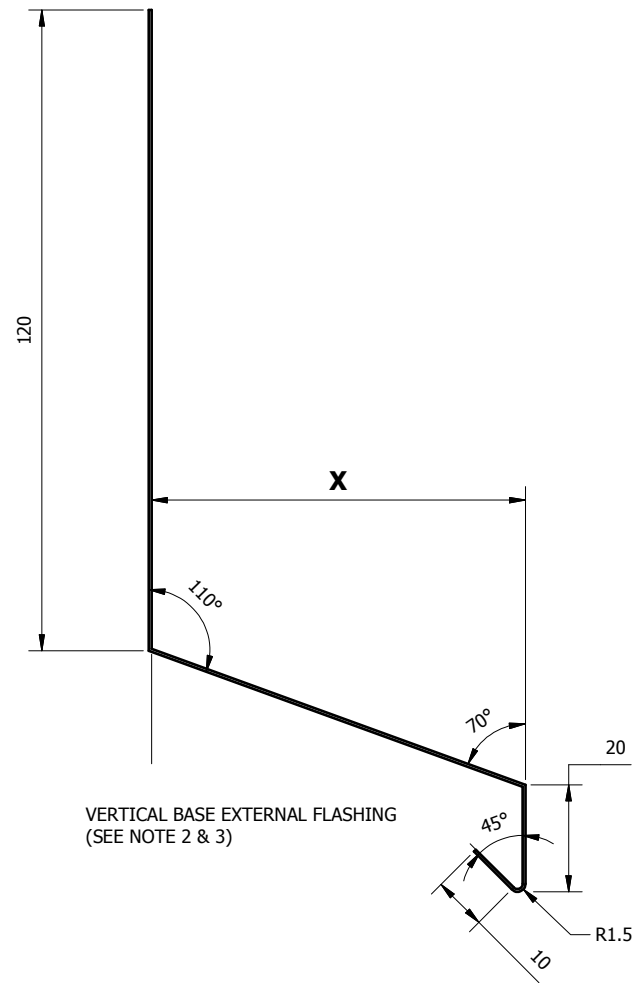
UNSPECIFIED TOLERANCES +/- 0.1mm
FINISH ✓



VERTICAL MOUNT BOTTOM RAIL
(SEE NOTE 1 & 3)



VERTICAL BASE INSIDE FLASHING
(SEE NOTE 2 & 3)



VERTICAL BASE EXTERNAL FLASHING
(SEE NOTE 2 & 3)

NOTE

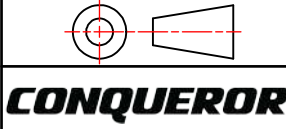
1. 1.2 mm GALVANIZED STEEL
2. 0.55 mm PRE PAINTED COIL
3. LENGTH TO SUITE APPLICATION

CONQUEROR HAS A POLICY OF CONTINUOUS PRODUCT IMPROVEMENT; WE RESERVE THE RIGHT TO CHANGE DESIGN OR SPECIFICATIONS WITHOUT PRIOR NOTICE.

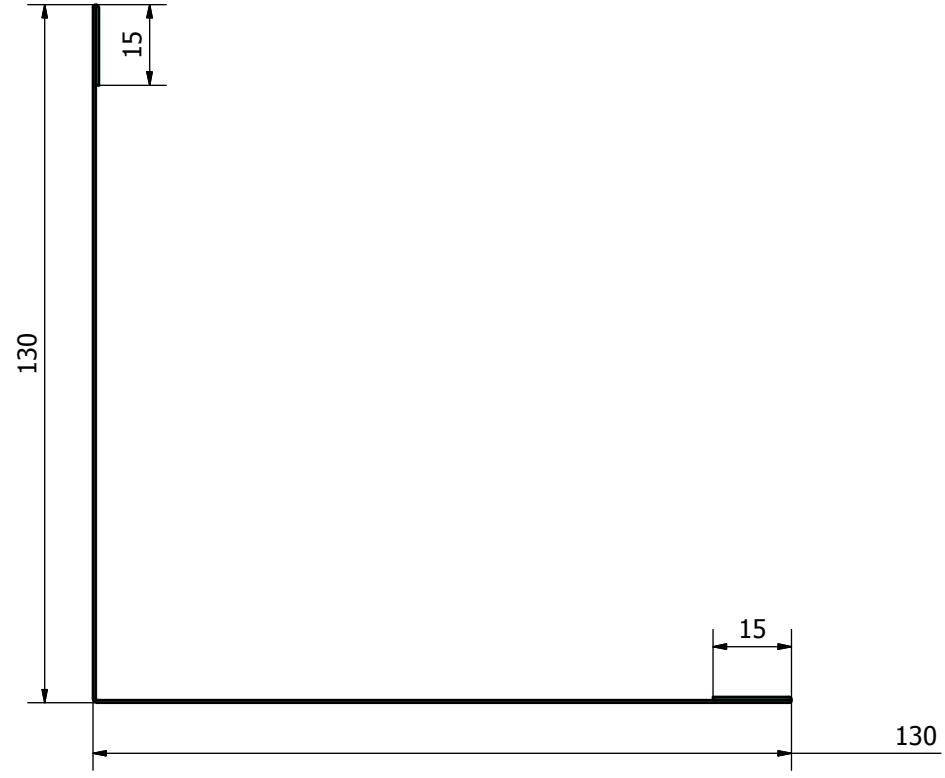
COPYRIGHT CONQUEROR NZ Ltd

DO NOT SCALE
ALL DIMENSIONS IN mm

DISTANCE "X"	PANEL THK
45	50
70	75
95	100

	ORDER/CONTRACT NO:				TITLE VERTICAL PANEL EXTERNAL BASE MOUNT DETAILS			
	RELEASED			SHEET SIZE A3				
CHECKER	G. F.	08/08/2013	SHEET 1 OF 1	DWG NO	PART NO		REV. NONE	
DFT / DSGN	R. K.	19/07/2013	SCALE 1:1	0015				

REVISION HISTORY				
REV	REASON FOR CHANGE	DATE	SHEET	ZONE
NONE		19/07/2013		

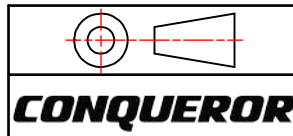


JIS-G3322/CGLCC, AZ 150
0.55 mm PREPAINTED STEEL

DO NOT SCALE
ALL DIMENSIONS IN mm

CONQUEROR HAS A POLICY OF CONTINUOUS PRODUCT IMPROVEMENT; WE RESERVE THE RIGHT TO CHANGE DESIGN OR SPECIFICATIONS WITHOUT PRIOR NOTICE.

COPYRIGHT **CONQUEROR NZ Ltd**

	ORDER/CONTRACT NO:			TITLE	
	RELEASED			EXTERNAL CORNER FLASHING	
CHECKER	G. F.	08/08/2013	SHEET 1 OF 1		DWG NO
DFT / DSGN	R. K.	14/06/2013	SCALE 2:1		0017
					REV. NONE

6

5

4

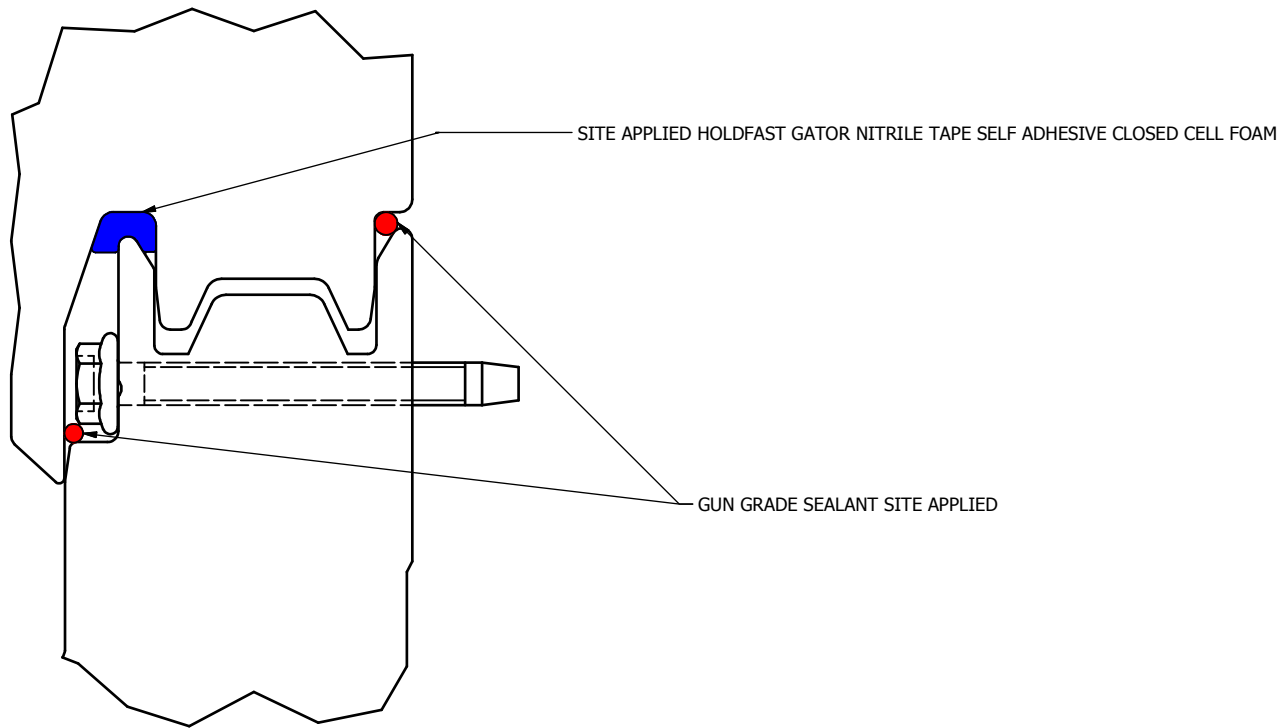
3

2

1

REVISION HISTORY				
REV	REASON FOR CHANGE	DATE	SHEET	ZONE
1		02/08/2013		

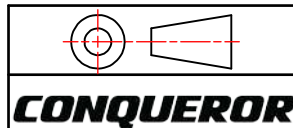
FOR VERTICAL JOINT REFER TO SEALANT DETAIL VERTICAL JOINT



DO NOT SCALE

CONQUEROR HAS A POLICY OF CONTINUOUS PRODUCT IMPROVEMENT; WE RESERVE THE RIGHT TO CHANGE DESIGN OR SPECIFICATIONS WITHOUT PRIOR NOTICE.

COPYRIGHT CONQUEROR NZ Ltd



ORDER/CONTRACT NO:				TITLE	
RELEASED			SHEET SIZE	A3	
CHECKER	G. F.	14/08/2013	SHEET	1 OF 1	
DFT / DSGN	R. K.	15/06/2013	SCALE	1:1	
			DWG NO	0048	REV. NONE

6

5

4

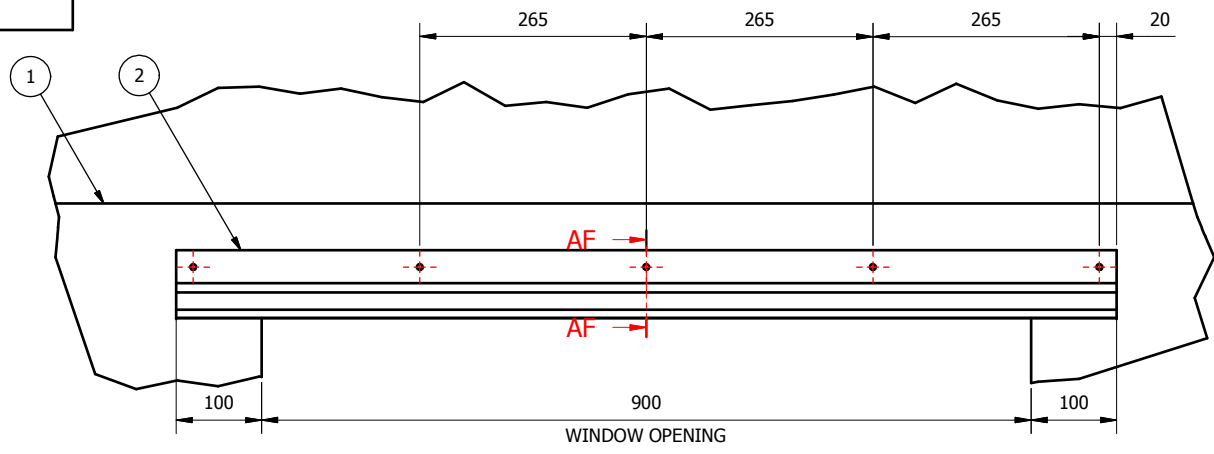
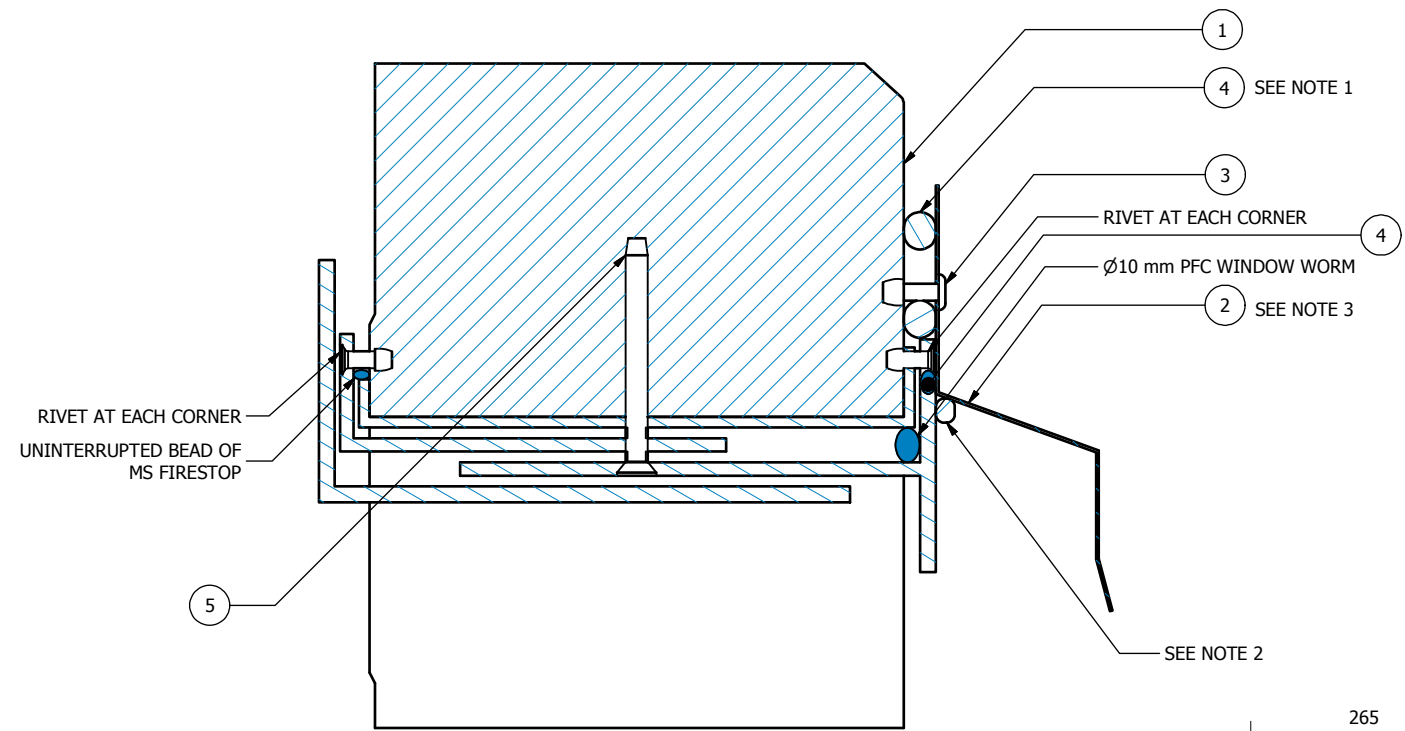
3

2

1

ITEM	QTY	DESCRIPTION
1	1	EXTERNAL WALL PANEL
2	1	WINDOW TOP FLASHING
3	5	CLOSED END BLIND RIVETS
4	AR	BEAD, MS FIRESTOP Ø6 mm
5	1	Square Recessed Flat Countersunk Head Tapping

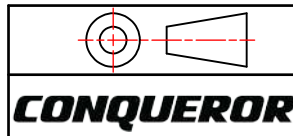
TYPICAL WINDOW TOP FLASHING



- NOTE
- UNINTERRUPTED 4 mm BEAD OF MS FIRESTOP AROUND PERIMETER
 - BEAD OF GUN GRADE SEALANT
 - FLASHING TO PASS WINDOW FRAME BY 100 mm AT EACH END

CONQUEROR HAS A POLICY OF CONTINUOUS PRODUCT IMPROVEMENT; WE RESERVE THE RIGHT TO CHANGE DESIGN OR SPECIFICATIONS WITHOUT PRIOR NOTICE.

COPYRIGHT CONQUEROR NZ Ltd



ORDER/CONTRACT NO:			
RELEASED			SHEET SIZE A3
CHECKER	G. F.	14/08/2013	SHEET 1 OF 1
DFT / DSGN	R. K.	25/07/2013	SCALE NONE

TITLE		TYPICAL WINDOW TOP FLASHING	
DWG NO	0050	REV.	NONE

DO NOT SCALE

CONTACT



57 West Coast Road
Yaldhurst, Christchurch 7676



0800 799 923



info@cnzltd.co.nz



www.conquerornz.co.nz



www.facebook.com/conquerornz



www.linkedin.com/company/conqueror-nz

CONQUEROR